

# Installation Instructions

## Sunnex RLM Series

(RLM-CL-230V - RLM-CLT-230V)

### 1. Applications

The Sunnex RLM Series light offers illuminated magnification of 5 diopters with optional add-on lens and a long lasting fluorescent bulb with near daylight color temperature.



### 2. Technical Data

- |                          |                    |                          |                           |
|--------------------------|--------------------|--------------------------|---------------------------|
| <input type="checkbox"/> | Voltage:           | <input type="checkbox"/> | 220V                      |
| <input type="checkbox"/> | Bulb:              | <input type="checkbox"/> | 22W Fluorescent ring bulb |
| <input type="checkbox"/> | Color Temperature: | <input type="checkbox"/> | 4200K                     |
| <input type="checkbox"/> | Magnification:     | <input type="checkbox"/> | 5d / 2.25X                |

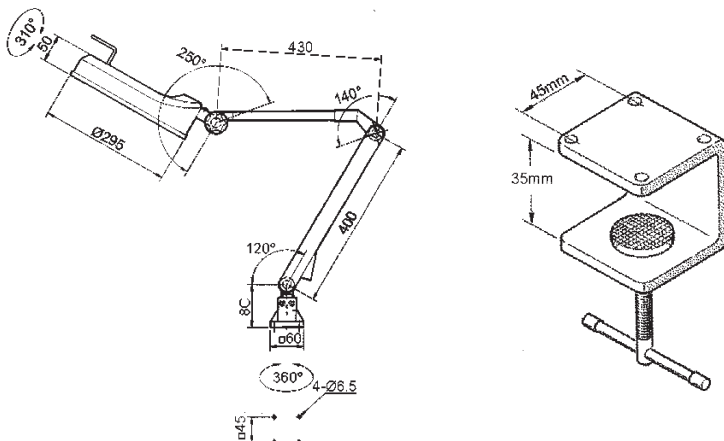
### 3. Mounting Instructions

#### 3.1 RLM-CL-230V

C-Clamp - 22W - Articulated arm

The light fixture comes standard with a universal mounting bracket attached at the bottom.

Use screws provided with the c-clamp to attach the c-clamp to the bottom of the universal mounting bracket.



#### 3.2 RLM-CLT-230V

Mobile Caster Base - 22W - Articulated arm

Prior to inserting the bottom stem of the articulated arm into the pole, the universal mounting bracket must be removed from the stem. The bracket will not be needed in this configuration of the RLM series light, but can be used if the light is to be mounted on a plane surface. Included in the box is also a c-clamp that can be attached to the universal mounting bracket with the provided screws. Using a size 11 Allen wrench, remove the screws from the bracket and detach the bracket from the lamp arm.

continue =>

- A. Insert the bottom stem of the articulated arm into the vertical pole.
- B. Secure the arm insertion by tightening the black knob. Do not use excessive force as this may damage the components.
- C. Adjust the position of the lamp head by turning the head at the joint. The arm is equipped with friction joints and can be adjusted as needed into the desired position.
- D. To attach the wire trolley, place trolley on the floor and press the base firmly down inside the wings of the trolley.
- E. CAUTION! Do not extend the arm horizontally to its full extension as this may result in instability of the base.



## 6. Sunnex Limited Warranty

Sunnex warrants that its Products shall be free from defects in material and workmanship and this warranty shall remain in force and effect for a period of three (3) years from and after the date of its Delivery (the "Warranty Period") provided that this warranty shall be subject the following conditions:

(a) the Sunnex Installation Instructions shall have been strictly complied with in all respects by the party performing the installation of the Product; and

(b) the Product shall have been used only for the purposes for which it is intended and shall not have been abused, damaged or modified during installation or from usage.

(c) ordinary wear and tear shall not be covered by the terms of this warranty.

(d) written notice to Sunnex of the defective Product shall be given within the Warranty Period.

If a Product is found to be defective and the provisions of this Section have been complied with Sunnex will repair or replace the Product, at its expense.

Other than as herein expressly set forth there are no warranties made or given herein with respect to a product and the warranties given in statement are in lieu of all other warranties, which are hereby disclaimed. In particular, there are no express or implied warranties, and no warranty of merchantability or fitness for a particular purpose.

**Sunnex will not be liable for any special, indirect, incidental or consequential damage, loss, cost or expense whatsoever arising from the installation or use of a product or from any other cause.**

When making a claim against your Sunnex warranty, please provide the model number of your product, the date of purchase and a receipt or other proof of purchase to your Sunnex customer service representative. Sunnex Customer Service: (800)445-7869.

**Sunnex Equipment AB**  
**Smidesvagen 7**  
**SE-686 33 Sunne Sweden**  
Ph: 46 8 546 802 30  
Fax: 46 8 546 802 59  
Email: [info@sunnex.se](mailto:info@sunnex.se)