

LN-Series

Sunnex leveling mounts are modular in design, consisting of two parts: a base and a threaded bolt. The mounts can be combined with any thread type and size, allowing you to specify the correct configuration for your application.

Sunnex LN-Series nylon leveling mounts support any type of machinery and equipment, from packaging machinery to office furniture. These mounts provide fast, easy, and precise leveling of all types of machinery and equipment, and are available with a variety of mounting options including bolt-on, free-standing, floor-anchored, and vibration damping pads.

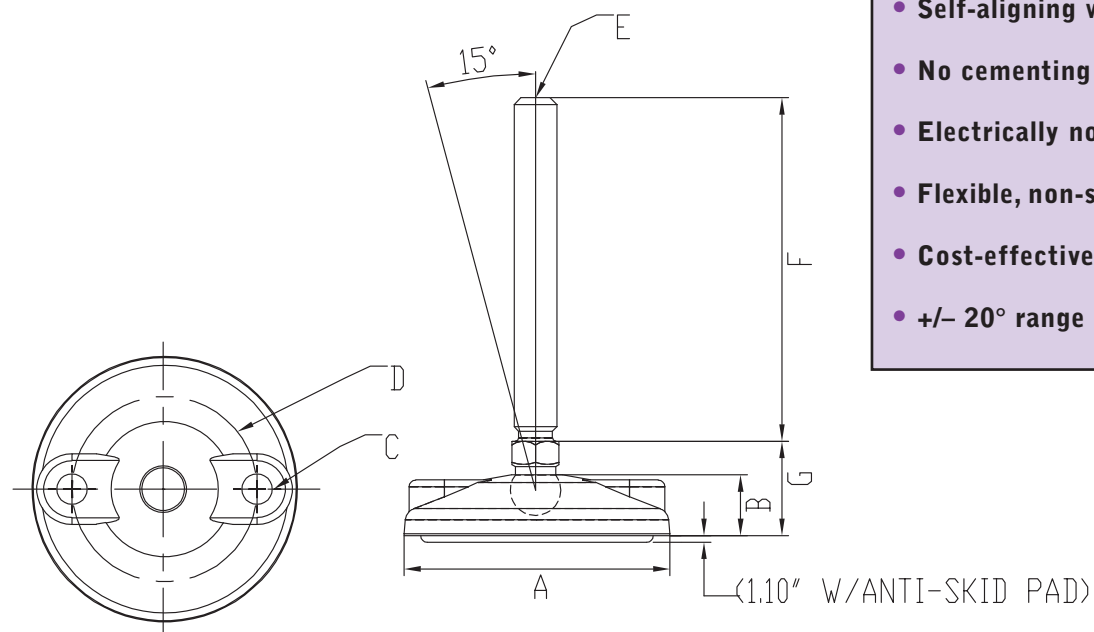


Applications

- Electronics Equipment
- Medical Equipment
- Packaging Machinery
- Conveyors
- Industrial Scales

Advantages

- Fast, easy, and precise leveling of all types of machines and equipment
- Wide variety of configurations
- Self-aligning without sacrificing stability
- No cementing or bolting needed
- Electrically non-conductive
- Flexible, non-scuff or scratch-resistant
- Cost-effective options
- +/- 20° range of motion available



Nylon Leveler Base: No Anchoring Holes

Item No.		Load (lbs)	Base Dia. (A)	Base Ht. (B)
w/o Pads	w/ Pads			
S30TNY	S30TAY	650	1.18	0.71
S40TNY	S40TAY	900	1.57	0.71
S50TNY	S50TAY	1000	1.97	0.71
S60TNY	S60TAY	1300	2.36	0.71
S80TNY	S80TAY	1500	3.15	0.71
S100TNY	S100TAY	1700	3.94	0.71
S120TNY	S120TAY	1900	4.72	0.71

Nylon Leveler Base: With Anchoring Holes

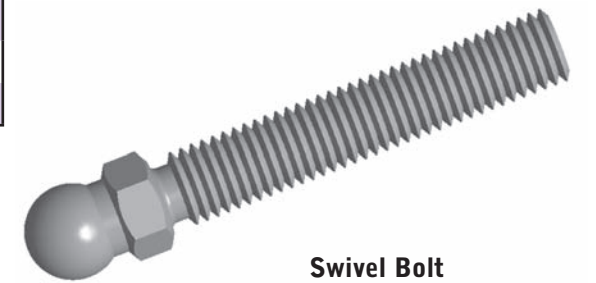
Item No.		Load (lbs)	Base Dia. (A)	Base Ht. (B)	Hole Dia. (C)	Hole Ctr (D)
w/o Pads	w/ Pads					
S80BNY	S80BAY	1500	3.15	0.71	0.35	2.17
S100BNY	S100BAY	1700	3.94	0.71	0.35	2.88
S120BNY	S120BAY	1900	4.72	0.71	0.35	2.88

* Ordering Information

Part No. =	BASE	-	BOLT
Part No. =	S60TNY	-	S1/2X4Z

How to Select a Leveling Mount & Bolt

1. Select the base material (nylon or metal)
2. Select fixed or swivel configuration
3. Select diameter based on load requirements
4. Consider anti-skid and anchoring options
5. Match fixed or swivel bolt with base
6. Select bolt (material, thread and length)



Swivel Bolt

See back page for ordering information.

Metric Threads

Item No.		Thread E	Length F (mm)	Hex Ht G
Zinc	Stainless			
SM10X40Z	SM10X40L	M10-1.5	40	1.2
SM10X100Z	SM10X100L	M10-1.5	100	1.2
SM12X45Z	SM12X45L	M12-1.75	45	1.2
SM12X100Z	SM12X100L	M12-1.75	100	1.2
SM16X80Z	SM16X80L	M16-2.0	80	1.3
SM16X100Z	SM16X100L	M16-2.0	100	1.3
SM16X150Z	SM16X150L	M16-2.0	150	1.3

Inch Threads

Item No.		Thread E	Length F	Hex Ht G
Zinc	Stainless			
S3/8X4Z	S3/8X4L	3/8-16	4.0	1.2
S3/8X6Z	S3/8X6L	3/8-16	6.0	1.2
S1/2X2.5Z	S1/2X2.5L	1/2-13	2.5	1.2
S1/2X3.5Z	S1/2X3.5L	1/2-13	3.5	1.2
S1/2X4Z	S1/2X4L	1/2-13	4.0	1.2
S1/2X6Z	S1/2X6L	1/2-13	6.0	1.2
S5/8X2.5Z	S5/8X2.5L	5/8-11	2.5	1.3
S5/8X4Z	S5/8X4L	5/8-11	4.0	1.3
S5/8X6Z	S5/8X6L	5/8-11	6.0	1.3
S5/8X6.5Z	S5/8X6.5L	5/8-11	6.5	1.3
S3/4X4Z	S3/4X4L	3/4-10	4.0	1.3
S3/4X6Z	S3/4X6L	3/4-10	6.0	1.3
S3/4X6.5Z	S3/4X6.5L	3/4-10	6.5	1.3
S3/4X9.5Z	S3/4X9.5L	3/4-10	9.5	1.3

* Does not include nut or washer

See our Online Specifications:
www.sunnexonline.com/mounts/LN-series.htm