



LED Bed Lights

MEDICAL LIGHTING



www.sunnexmedical.com • 800-445-7869



LM LED Bed Light

Applications for Sunnex LED bed lights include:

Hospitals • Nursing Homes • Hotels • Private Residence

The Sunnex Medical LED bed light is available in two designs with a number of standard configurations. The LM has a compact modern design and the NightStar has a sleek European design. The LM is available with an on/off cord switch for easy reach while the NightStar has an illuminated switch to simplify location of the light.



NightStar™ LED Bed Light

Sunnex LED Bed Lights

Sunnex LED bed lights are setting a new standard in quality and performance for the bed light market. Exceptional light output with low heat emission improves energy savings while reducing liability risks.

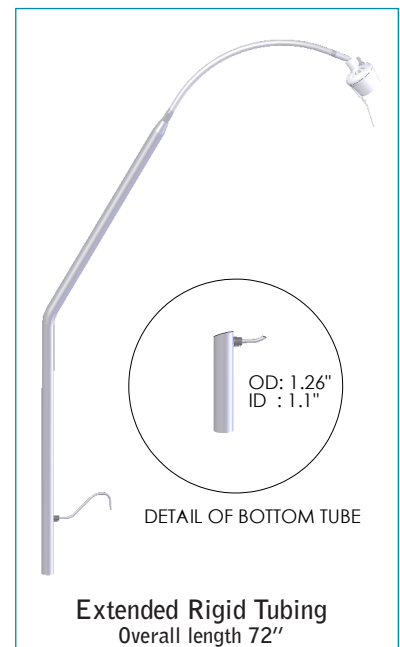
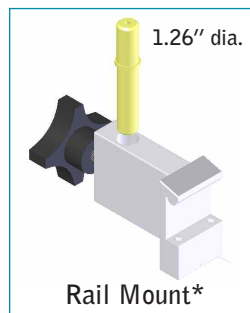
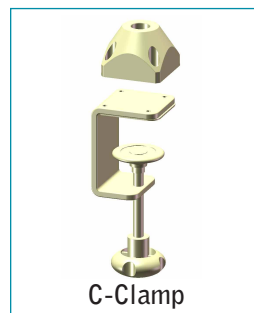
Sunnex LEDs have a number of advantages that makes these lights superior to the competition:



- **Low Heat** – the risk of fire or burning accidents is eliminated with Sunnex LED. There is no UV or IR radiation from LED lights as with halogen. Virtually no heat is generated forward with LED. This is an especially important feature in nursing or hospital environment where the risk of fire has been removed – an improvement for the patient that in turn also reduces liability risks for hospital management.
- **Energy Savings** – the energy savings are substantial – between 70% and 80% compared to halogen and even more compared to fluorescent. An investment in new LED bed lights pays for itself in less than three years.
- **Mercury-Free Light Source** – there are no pollutants such as mercury in the LED technology in contrast to other light sources.
- **Meet Hospital Standards** – available with hospital graded plug-in transformer, a requirement for most hospitals.
- **Extended Element Life** – over 25,000 hours for LED leads to lower long-term cost.
- **High Light Output** – better light output than most fluorescent and halogen bed lights.
- **Lower Life Cycle Cost** – the high quality and low investment gives a low life cycle cost. The product is supported with a three-year warranty included in the price.
- **Multiple Mounting Options** – to meet most configurations of walls and beds from major manufacturers.

AVAILABLE MOUNTING OPTIONS

*Sunnex can provide inserts that fit to larger rail and bed manufacturers' products. We can in many cases provide the actual adapter and rail mount.



Technical Data**NightStar™ LED****LM LED**

Power Supply	110V or 220V	110V or 220V
Transformer Type	Hospital graded plug-in transformer	Hospital graded plug-in transformer
Cord	5.5' cord plug-in transformer	5.5' cord plug-in transformer
Power Consumption	5W	5W
Heat at Lens (forward)	Ambient temperature	Ambient temperature
Lux	2020 Lux (18")	2020 Lux (18")
Color Temperature	Approx. 2700 Kelvin, yellowish light	Approx. 2700 Kelvin, yellowish light
Switch	Rocker switch (1/0)	Rocker switch (1/0)
Special Features	Light indicator on switch	On/off cord switch
Adjustable	340° swivel at head and knuckle for 180° rotation	340° swivel at head, 90° pivot at head
Arm System	Rugged, flexible PUR sleeved gooseneck	Rugged, flexible PUR sleeved gooseneck
Lens	Clear	Clear
Safety Class (Int'l)	IP20	IP20
Lamp Color	Off white – RAL 9002	Off white – RAL 9002
Mounting	Rail, extended rigid tubing, wall, table or C-clamp	Rail, extended rigid tubing, wall, table or C-clamp
Element Lifetime	25,000 hours	25,000 hours
UV or IR Radiation (Heat)	No	No
Mercury or Other Pollutants	No	No
Optional:	Halogen, high-end articulated arm system	Halogen, high-end articulated arm system
Complete Length of Lamp	43" (excludes extended rigid tubing)	43" (excludes extended rigid tubing)
Weight	3 lbs.	2.75 lbs.

NightStar LED Model No:

NSRM37	Rail Mount
NSCC37	C-Clamp
NSTB37	Table Base
NSWM37	Wall Mount
NSER72	Extended Rigid Tubing

LM LED Model No:

LMRM37	Rail Mount
LMCC37	C-Clamp
LMTB37	Table Base
LMWM37	Wall Mount
LMER72	Extended Rigid Tubing

Visit our web site

www.sunnexmedical.com



Sunnex, Inc.
 3 Huron Drive
 Natick, MA 01760-1314
 USA

Toll Free 800-445-7869
 Tel 508-651-0009
 Fax 508-651-0099
 Email sunnex@sunnex.com