

The compact design of this 20W halogen light combined with its flexible gooseneck, makes it ideal for applications with small or hard-to-reach work areas.

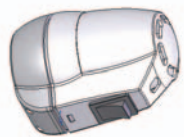
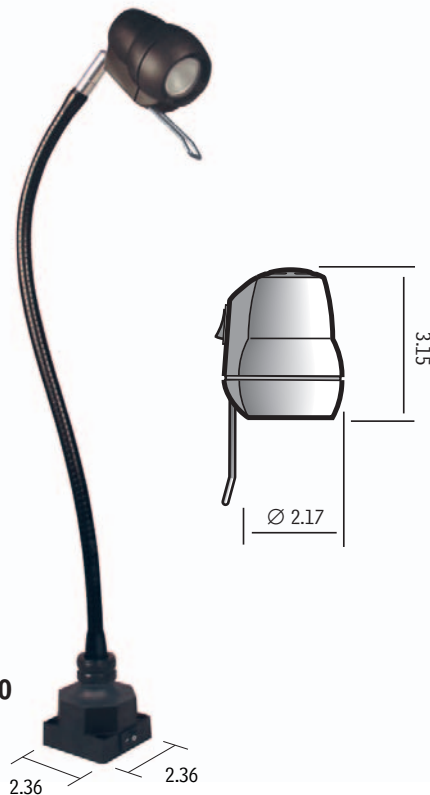
Features include:

- Versatile, focused light with compact lamp head
- Swivel joint for added maneuverability
- Flexible gooseneck arm for easy light positioning

HT300 - Flexible Gooseneck Light

| | Standard | Optional |
|----------------------|-----------------------|-------------------------------------|
| Power Supply | 120V | 230V (Euro plug) |
| Arm Length | 20" | - |
| Lamp Head | Swivel joint | - |
| Lens/Filter | Frosted | Clear |
| Base | Direct | Magnetic, C-Clamp, Table, L-bracket |
| Switch | Rocker switch on base | Button switch on head |
| Dimmer | No | - |
| Cord | 7' SJT | - |
| Safety Class (Int'l) | IP20 | - |
| Color | Matte black | Off-white |

Model
HT300-20



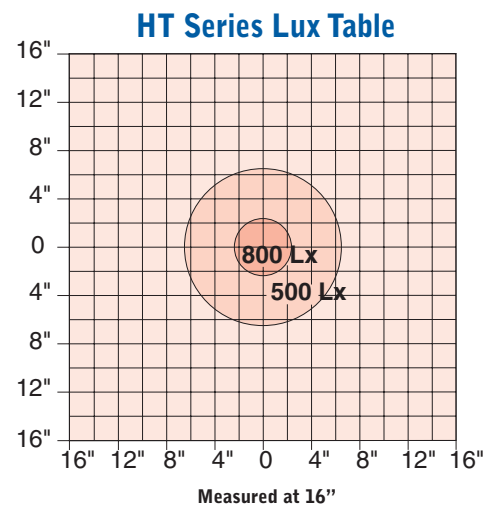
Switch on Head (-HS) For convenient on/off control, a push button switch can be mounted on the back of the lamphead.

HT200 Low Voltage Flexible Gooseneck Light

| | Standard | Optional |
|----------------------|-----------------------|-----------------------|
| Power supply | 12V | 24V |
| Arm Length | 20 | - |
| Lamp Head | Swivel joint | - |
| Lens/Filter | Frosted | Clear |
| Base | Direct | - |
| Switch | Rocker switch on base | Button switch on head |
| Dimmer | No | Yes |
| Cord | 7' SVT P302 plug | - |
| Safety Class (Int'l) | IP20 | - |
| Color | Matte black | Off-white |

Model
HT200-20W





Ideal for applications including:

- Microscope Illumination
- Assembly and Inspection Areas
- Workstations
- Office Areas



HT Series Mounting Options

